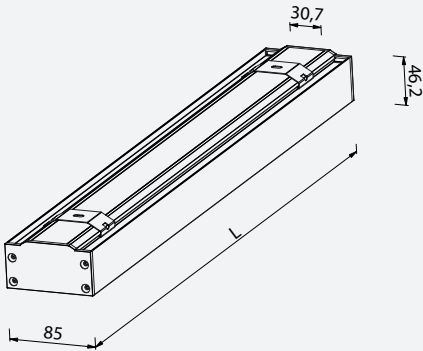
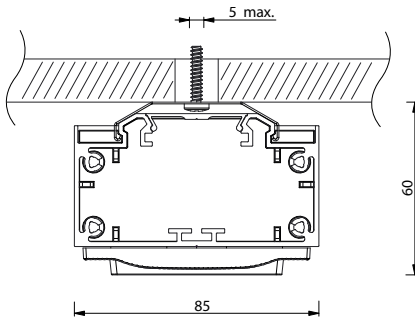


LAB5 Ceiling



- surface linear LED luminaire
- IP40 protected
- aluminium profile housing in white or black colour finish
- standard ON/OFF or push dim DALI regulation
- 145 Lm/W
- supply type 220V
- internal power supply installed
- available with emergency kit
- made in EU
- 24 month warranty



Order Code:

25LAB5C268 - **A** - **B** - **C** - **D** - **E** - **F**

A LED COLOUR TEMPERATURE

code	colour [K]
27	2700
30	3000
40	4000

B OPTICS

code	type
3	30°
6	60°
9	90°
1	110°
0	asimetric

C LENGTH

code	L-Luminaire [mm]	Power [W] high output	Real Lm high output	Power [W] low output	Real Lm low output
M04	1158	49	7057	34	5193
M05	1445	61,2	8821	42,5	6491
M06	1731	73,4	10585	51	7789
M07	2017	85,7	12349	54,5	9087
M08	2306	97,9	14113	68	10385
M09	2589	110,2	15877	76,5	11684
M10	2875	122,4	17641	85	12982

D OUTPUT

code	current [mA]
L	low
H	high

E HOUSING COLOUR

code	colour
WD	White
BD	Black

F LED CONTROL TYPE

code	type
/	ON/OFF
D	DALI

