

SMINTx6 pin mapping

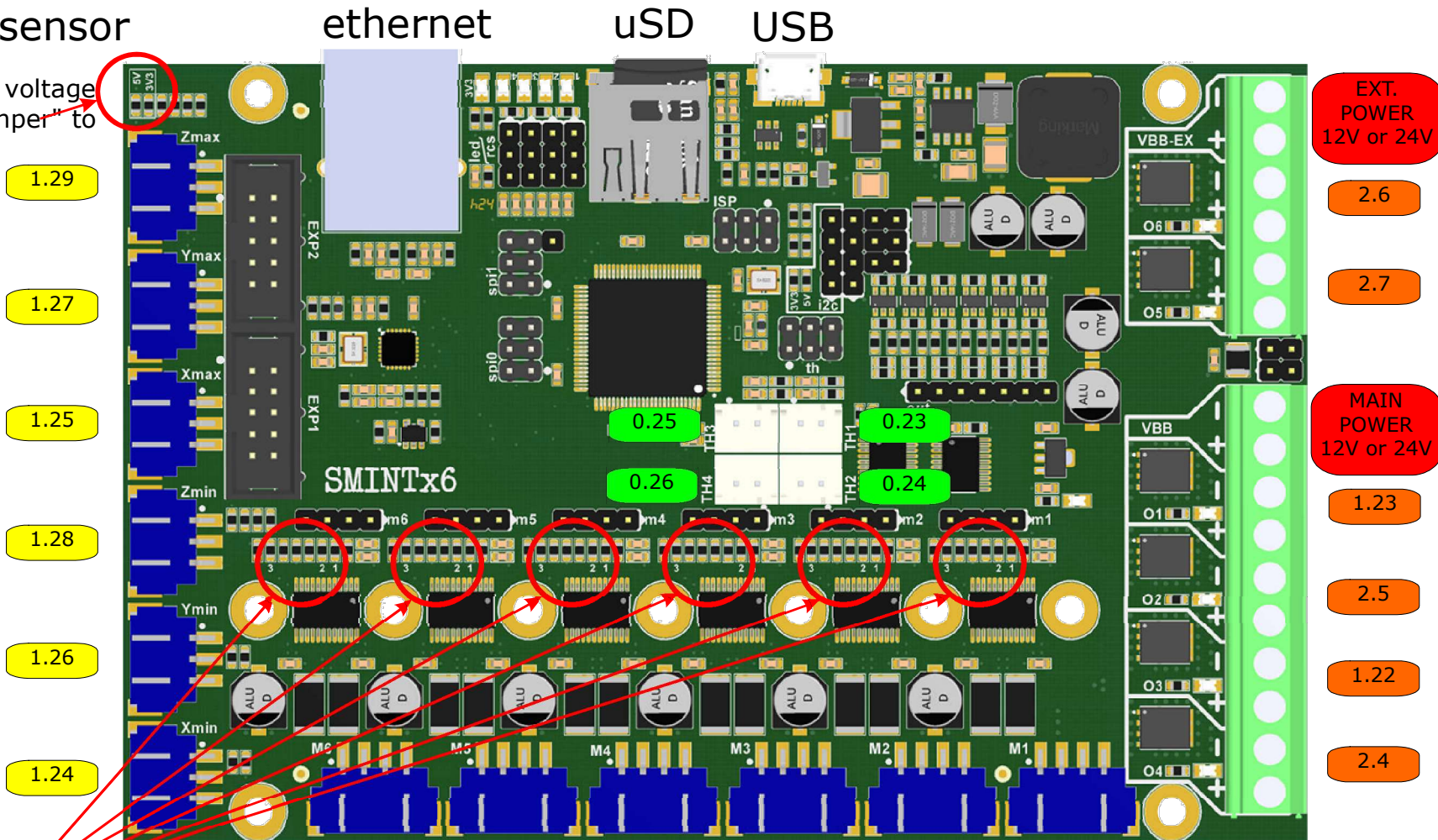
 step dir en motor output

 pin power output

 pin end switch/sensor input

 pin temp. sensor

for sensor power supply voltage selection use "solder jumper" to select 3.3V or 5V



EXT. POWER 12V or 24V

2.6
2.7

MAIN POWER 12V or 24V

1.23
2.5
1.22
2.4

2.11 2.8 2.3 2.2 2.1 2.0
2.12 2.13 0.22 0.20 0.11 0.5
4.28 4.29 0.21 0.19 0.10 0.4

micro step selection:
0 - not soldered
1 - 0R resistor or solder joint

3	2	1	microstep
0	0	0	full step
0	1	1	1/32
0	1	0	1/16
1	1	1	1/8